

Aluminium venetian blinds

Inside fit

bargain
blinds and
curtains

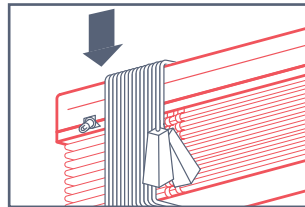
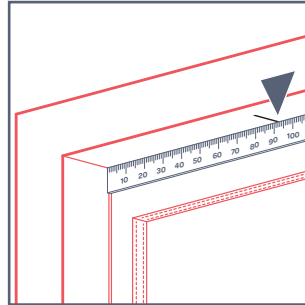
Getting started

Being careful not to damage the blind or cords when removing the packaging, unpack the blind and check all parts are included:

- Venetian blind
- Top fixing brackets with 1 x screw per bracket
- 1 x hex tilt wand with cord cleats

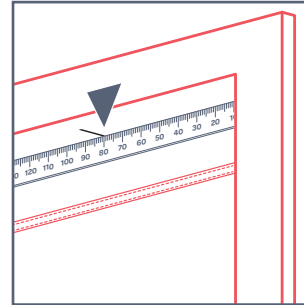
Tools required:

- Pencil
- Tape measure
- #2 square screwdriver



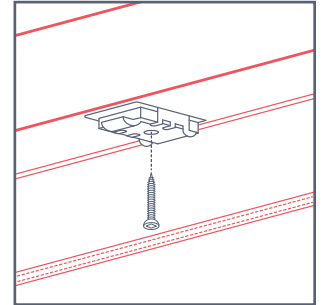
Step 1

On the same side as the control (e.g. the above is a left hand control) at the inside top of the window frame, mark 92mm in with a pencil.



Step 2

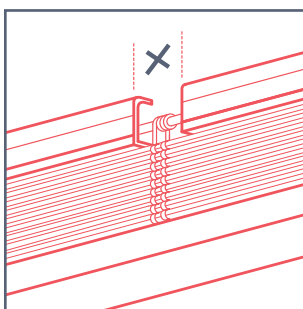
On the other side of the window place a mark on the inside of the window frame 80mm in.



Step 3

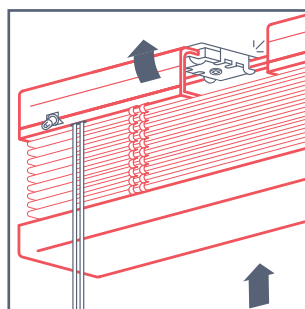
Top fix brackets with screws

Fix each bracket to the top side of the window with a single screw, lined up with the marks made in steps 1 and 2.



Step 4

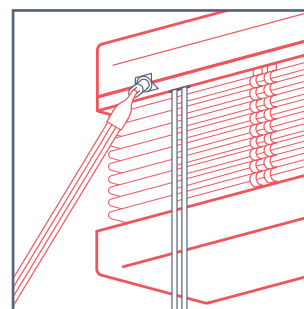
With any remaining brackets (supplied if required), space them evenly between the left and right side brackets, being careful they won't interfere with the ladders of the blind when installed.



Step 5

Unwind the cords from the control end. Holding the blind closed, align the front of the headrail to the brackets and tilt the base outwards to allow the headrail to 'hook' onto the front of each bracket.

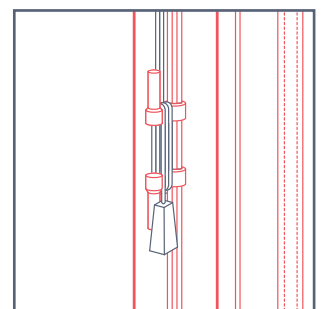
Once the front is hooked, use your thumbs to push the back of the headrail up until you hear it 'click'. Do this at each bracket to ensure the blind is secure.



Step 6

1 x hex tilt wand

Attach the hook on the hex wand to the loop on the control end of the blind.



Step 7

1 x cord cleat with screws

Cord cleats are attached to the hex wand to store excess cord when the blind is in the 'up' position.

Blind operation: To lower, hold the group of cords across the face of the blind and pull gently to release the cord lock before lowering the blind. To tilt the blind, twist the hex tilt wand.