

Curtain installation

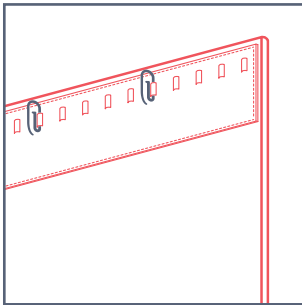
S-fold

bargain
blinds and
curtains

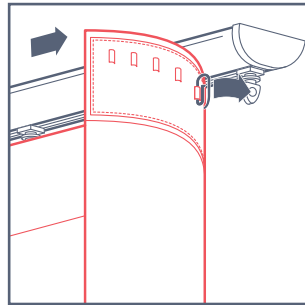
Getting started

Be careful not to damage the curtain when removing the packaging. Unpack the curtain and check the following parts are included:

- Curtain/s
- Hooks

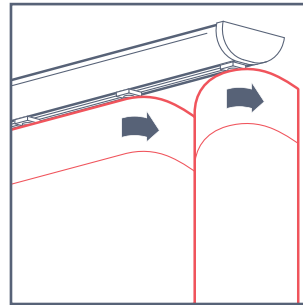


Tip: Your curtains will arrive packed flat for shipping and will be pre-hooked for your convenience.



Step 1

Work from one side to the other, hooking the hooks into their corresponding glides.

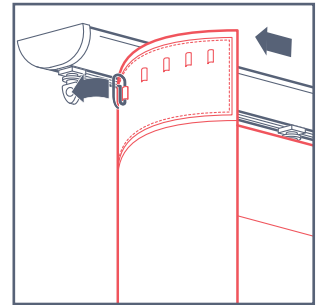


Step 2

Once the curtain is hanging it's time to shape it into an S.

To do this, push the fabric between the 2nd and 3rd glides toward the back of the track. Do the same between the 4th and 5th glides, 6th and 7th, 8th and 9th, etc.

When finished, both ends of the curtain should be pointing away from you toward the wall and your curtain should look like the illustrations below.

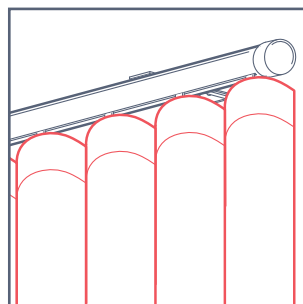


Step 3

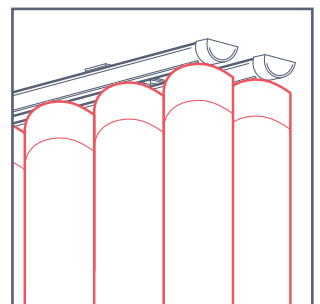
If you have ordered a pair of curtains, repeat steps 1 and 2 but from the opposite end of the track that you started with on the first curtain. This ensures a consistent S-shape all the way along.

Tip: If you get to the end of hanging your curtain to find there are not enough glides, or you have glides left over, check to see no hooks or glides were missed. There should be the same number of hooks on your curtains as glides on your track and that should be an even number.

Track operation: S-fold curtains will only work on an S-fold track or rod. You can tell it's an S-fold track or rod because the glides will be linked together by a string inside the track. If there isn't a string, you can order an S-fold track at Bargain Blinds and Curtains.



Wall mounted decorative rod



Double slim track