

Dual roller blinds

Inside fit

bargain
blinds and
curtains

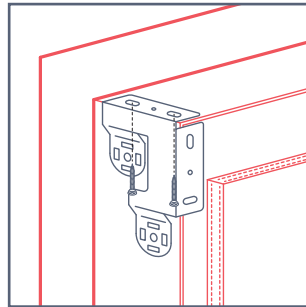
Getting started

Being careful not to damage the blind or chain when removing from the packaging, unpack the blind and check all parts are included:

- Dual roller blinds
- 1 pair of slimline double brackets
- 4 x screws
- 4 x ball stops
- 2 x child safety tensioners with screw

Tools required:

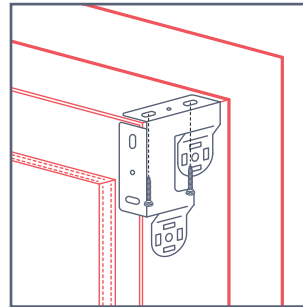
- Pencil
- Tape measure
- Electric screwdriver
- #2 square drive



Step 1

1 x left hand double bracket
2 x screws

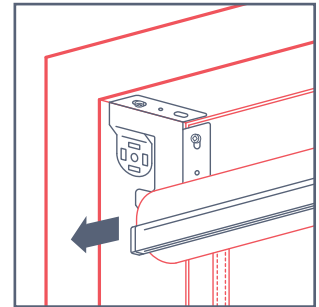
Fix the left hand double bracket inside the window frame in the top left hand corner of the window using two of the screws provided.



Step 2

1 x right hand double bracket
2 x screws

Repeat step 2 on the right side of the window measuring the same distance back from the front of the frame.

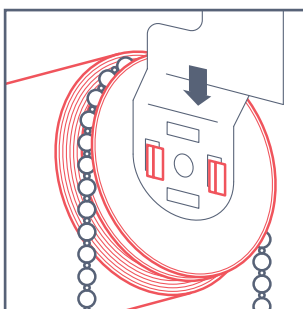


Step 3

Lift the sunscreen blind up to the window with the controls on the side selected when ordering.

Place the spring pin-end into the bottom bracket first (the opposite end to the chain).

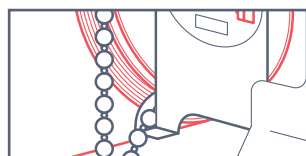
Tip: Always handle blinds with clean hands to avoid leaving marks or damaging the material.



Step 4

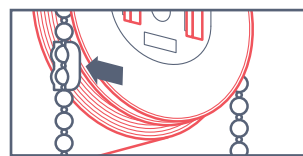
Applying pressure toward the pin end (to depress the pin), move the chain end of the blind into the bracket.

Pull down gently until the hooks set into the bracket.



Step 5

Repeat step 4, inserting the blockout blind in the upper bracket. Be careful to set the chain into the chain diverter as shown.

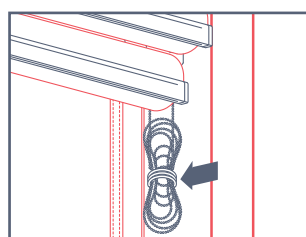


Step 7

4 x ball stops

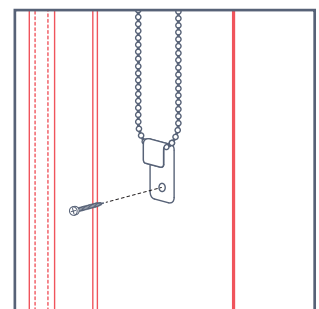
Attaching ball stops ensures the blind is not wound up or down too far, preventing damage.

For each blind: Roll the blind to the top of its range, note the position that the chain meets the clutch housing and attach a ball stop. Then roll the blind to the bottom of its range, note the position on the chain and attach a ball stop.



Step 6

Remove the rubber band from the chains to operate the blinds.



Step 8

2 x child safety tensioners with screws

Place the tensioners over the chains and let hang to determine where best to fix them to the window frame using the screws provided.

Tip: Don't pull the chains too tight, leave a little bit of give to make operating the blind easier.